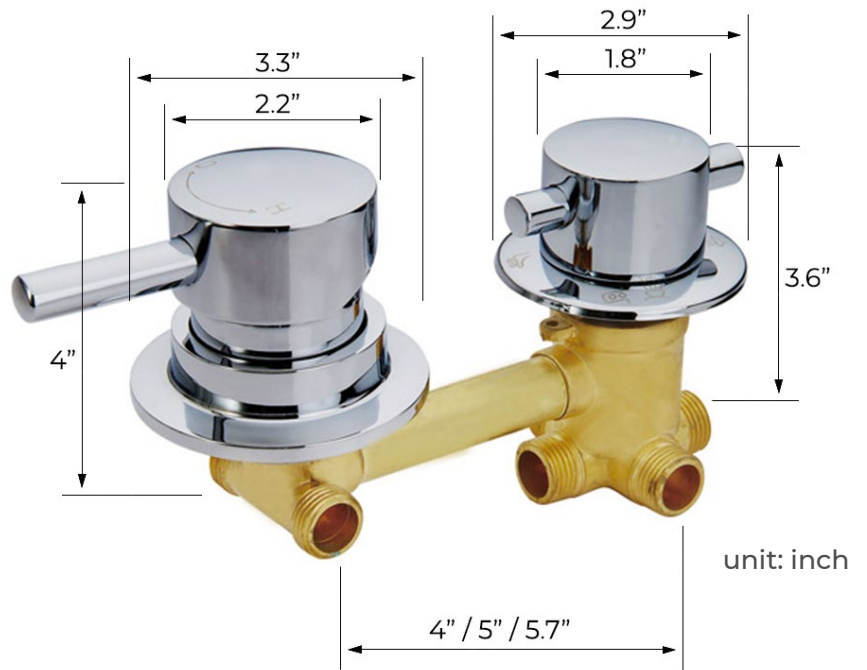


SHOWER MIXER 2/3/4 OR 5 WAY WATER OUTLET MIXING VALVE SPECIFICATIONS



Size



Technical Information

Feature: Cold and Hot
 Type: Fixed Support Type
 Surface Finishing: Brass
 Valve Core Material: Ceramic
 Number of Handles: Dual Handle
 Surface Treatment: Polished
 Material: Brass
 Temperature Control : Thermostatic
 Recommended Water Pressure : 0.5 bar
 Minimum Water Pressure : 0.5 bar
 Maximum Water Pressure : 5.0 bar

